

# KDRF 3 -12 STEP KDRWRF 3 - 12 STEP ASSEMBLY INSTRUCTIONS

## OPERATING AND MAINTENANCE INSTRUCTIONS

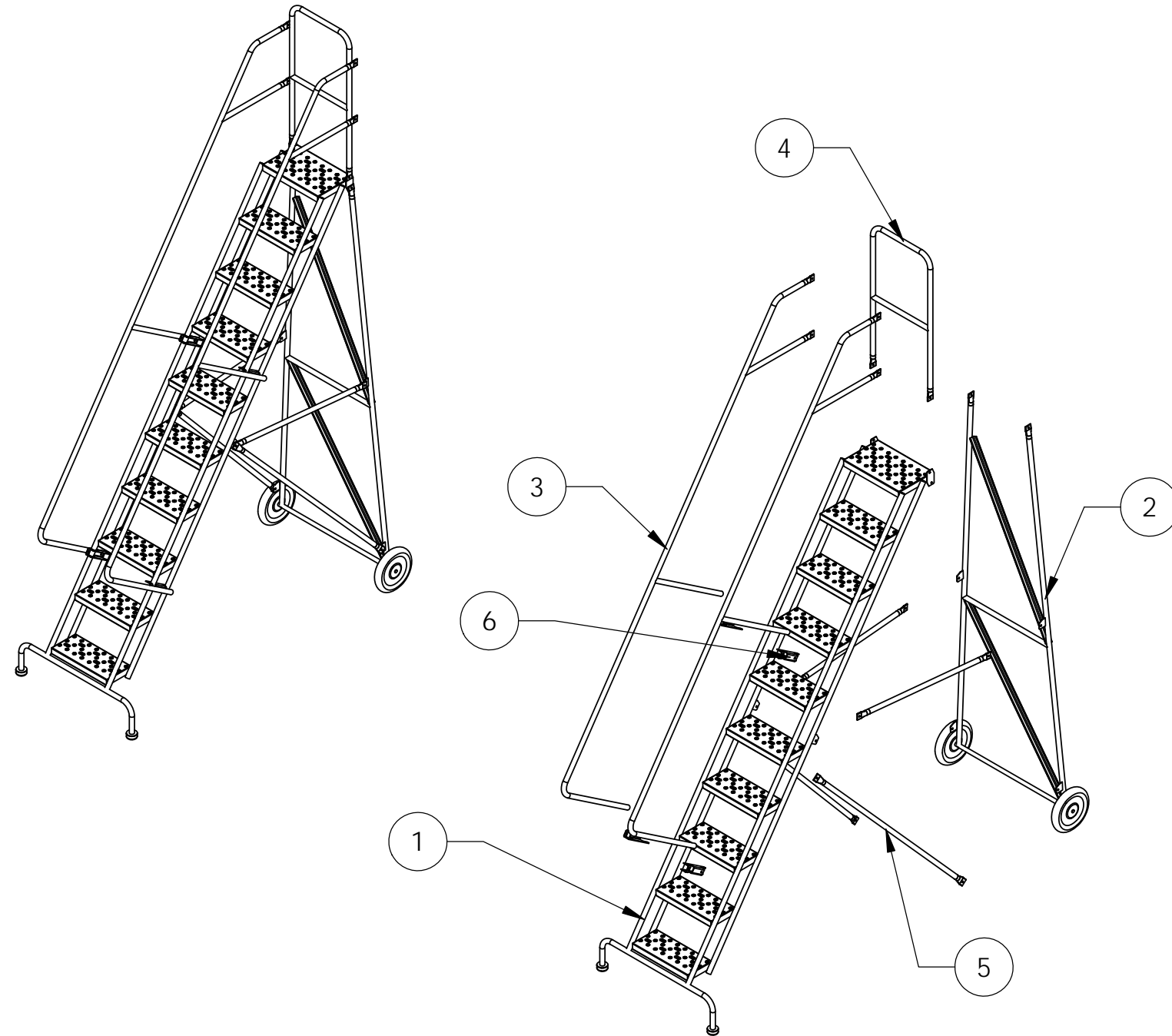
(Read the entire sheet carefully and retain for future reference)

### LADDER INSPECTION

- Upon receipt, inspect each unit immediately for damage incurred during shipping. If damage has occurred, sign for ladder as **DAMAGED**, contact the freight carrier and the manufacturer immediately. **DO NOT USE LADDER.**
- Inspect all ladders prior to each use, any ladders damaged or weakened from any cause **SHALL NOT BE USED** until repaired or replaced. Ladders damaged or worn beyond repair shall be destroyed. **NEVER** climb a damaged ladder.
- If assembly is required, ensure all bracing is properly fitted.
- Ensure that all rubber tips are installed on all legs. Replace all tips that are worn.
- Check brake mechanism. All legs must rest firmly on the floor before climbing.
- Ensure all fasteners are properly tightened.
- Missing or worn labels must be replaced; please contact the manufacturer.

### LADDER USE

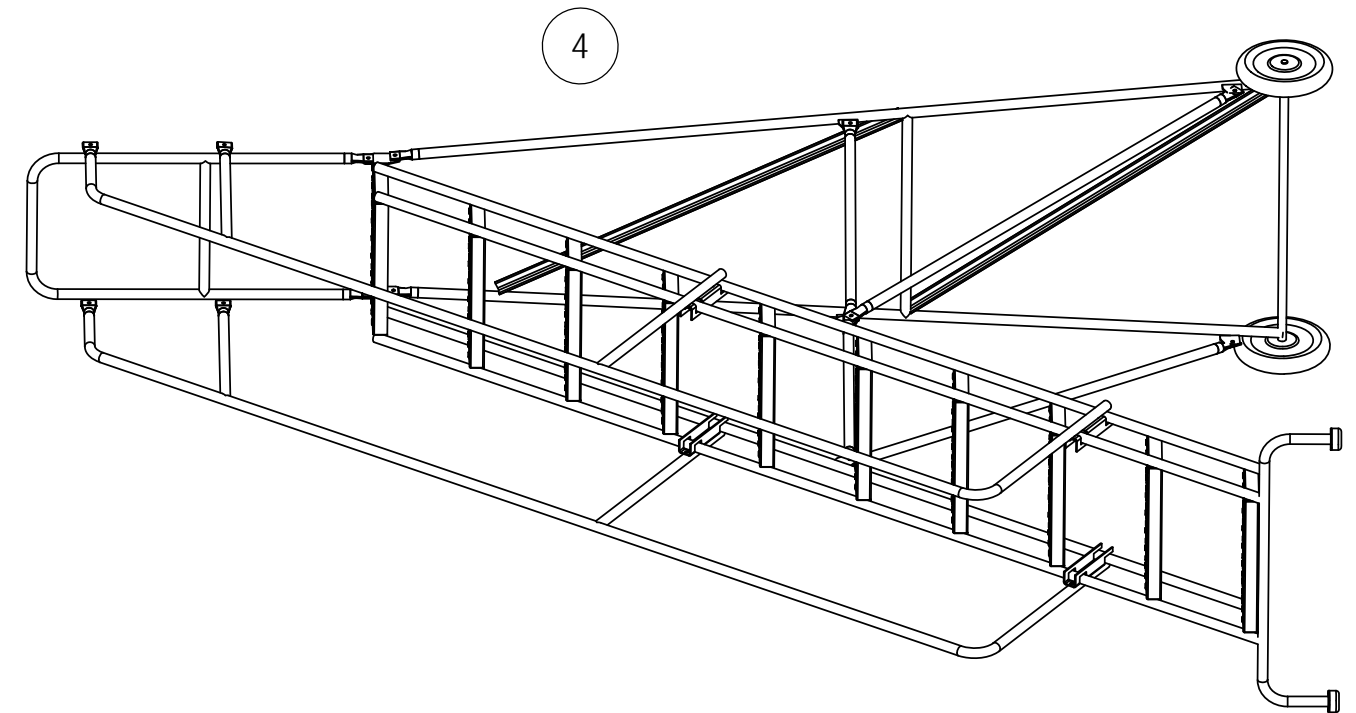
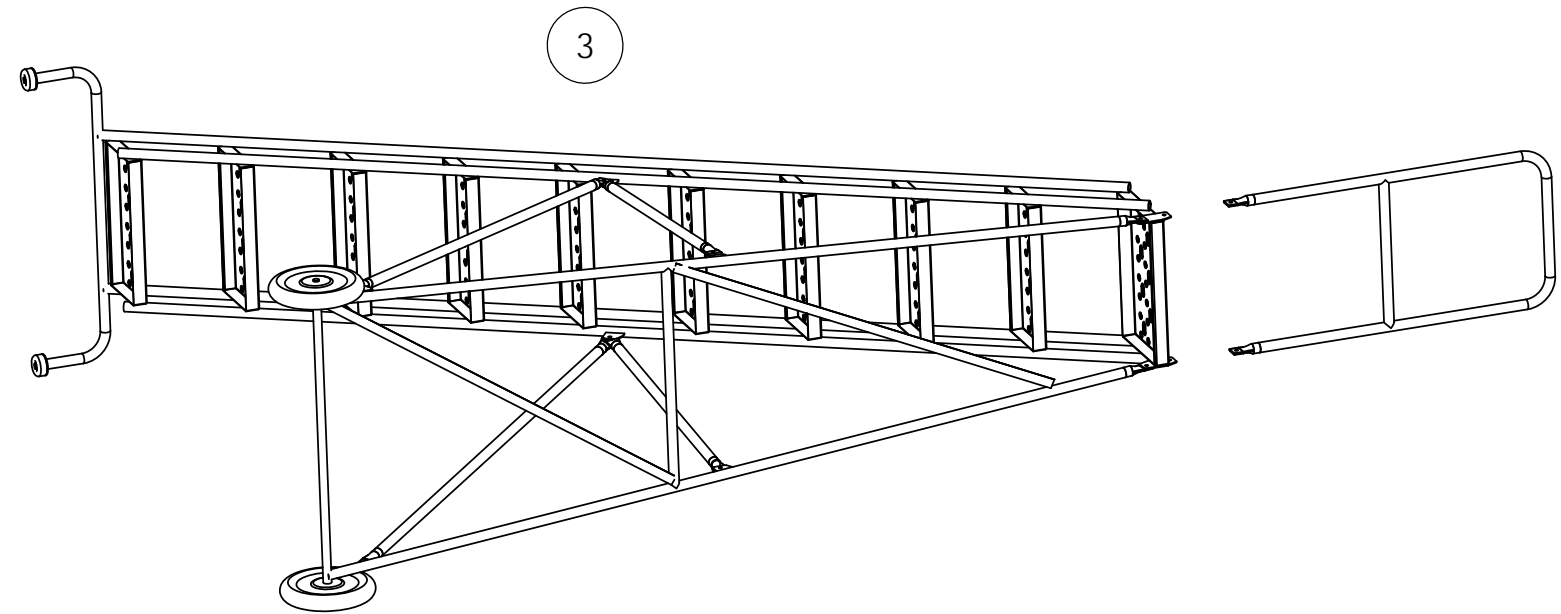
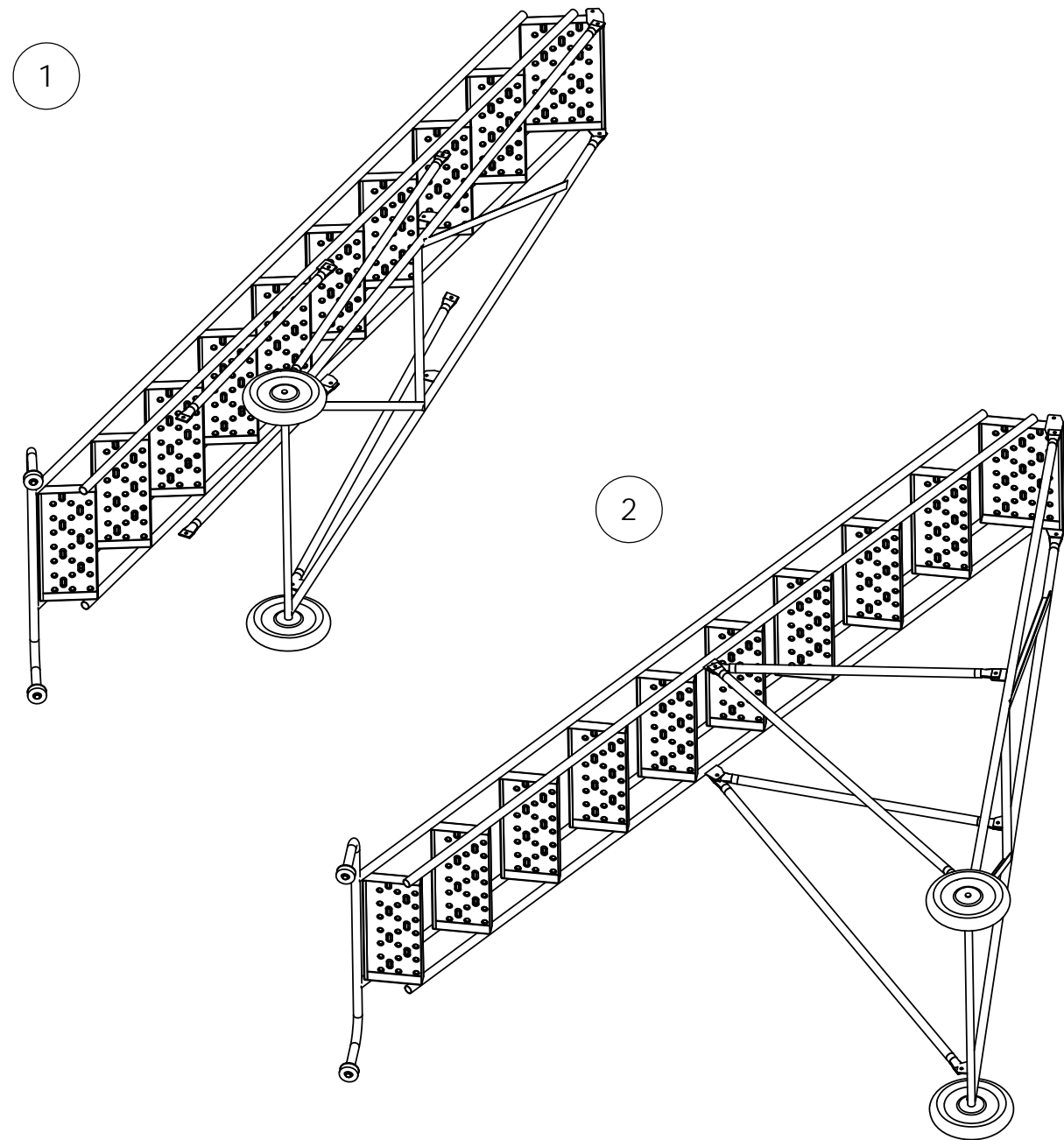
- All employees shall be instructed by employer in the proper use of the unit, and shall read the operating instructions before being allowed to use any unit.
- Employees must read and obey all instruction labels attached to the unit.
- Units must not be loaded beyond the weight marked on the label.
- The user shall face the ladder and use the handrail when ascending or descending. Overreaching while on a unit could cause instability and result in a fall.
- Additional height shall not be gained by the addition of any type of extension or object being placed on the unit.
- Do not stand on railing or top guardrail. The user shall not ascend farther than the top step.
- Foreign material such as grease shall be removed from shoes prior to ascent of a unit.
- Access to or egress from any step or platform from any other elevated surface shall be prohibited unless the unit has been positively secured against any movement.
- **DO NOT USE** ladder when occupied.
- **DO NOT USE** near open electrical circuits; contact with an energized circuit or conductor will cause an electrical shock.
- **DO NOT USE** in front of a door unless the door is secured in an open position, locked or guarded.
- **DO NOT USE** on an uneven or sloping surface; units are to be used on a flat level surface.
- **DO NOT USE** if you tire easily, are subject to fainting spells, use medicine, alcohol, or are physically handicapped.



ITEM NUMBER	DESCRIPTION	QTY
1	STAIR STRINGER	1
2	BACK ASSY	1
3	HANDRAIL	2
4	GUARDRAIL	1
5	SUPPORT TUBE	4*
6	HANDRAIL CLAMP	4**

\* 3 - 8 STEP MODELS HAVE 2 SUPPORT TUBES

\*\*3 - 7 STEP MODELS HAVE 2 HANDRAIL CLAMPS



THE BACK ASSY AND SUPPORT TUBES SHIP FASTENED TO STRINGER AND BACK ASSY TO ALLOW PIVOTING INTO POSITION

1. PLACE STRINGER ON FIRM WORKING SURFACE.
2. WITH STRINGER LAYING ON ITS SIDE, PIVOT BACK ASSY AND SUPPORT TUBES UNTIL CONNECTION HOLES ALIGN. CONNECT HAND TIGHT USING 5/16" X 1" FASTENERS. (FIGURES 1 & 2).
3. REPEAT STEPS 3 - 4 FOR CONNECTIONS ON OPPOSITE SIDE OF LADDER.

FOR MODELS WITH WELDED RAILS SKIP STEPS 4 - 6

4. ATTACH GUARDRAIL TO STRINGER USING 5/16" X 3/4" FASTENERS. (FIGURE 3)
5. ATTACH HANDRAILS TO HOLES ON OUTSIDE OF THE GUARDRAIL. USE 5/16" X 1 1/2" FASTENERS TO ATTACH HANDRAILS. (FIGURE 4)
6. ATTACH THE HANDRAIL POST TO THE STRINGER USING HANDRAIL CLAMPS AND 1 3/4" FASTENERS. (FIGURE 4)
7. TIGHTEN BOLTS UNDER TOP STEP BEFORE STANDING LADDER UPRIGHT. TIGHTEN OR RE-TIGHTEN ALL FASTENERS.