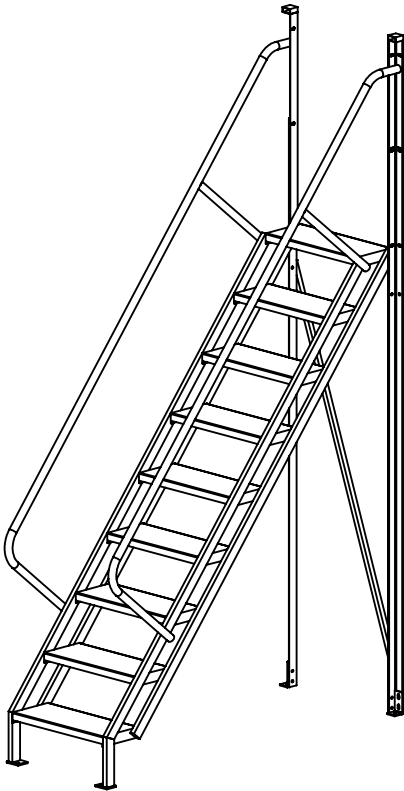
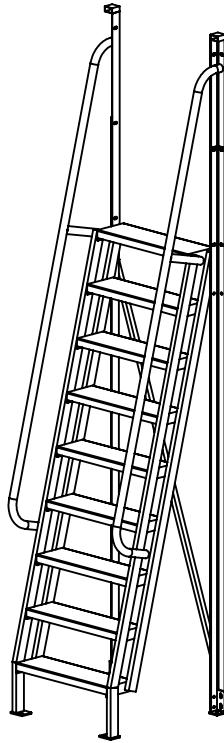


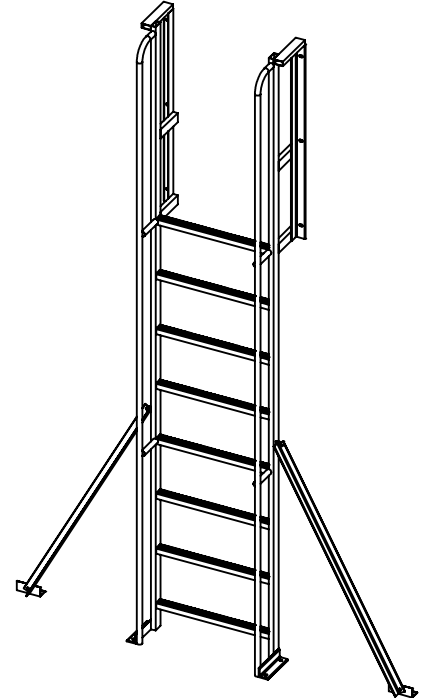
## Crossover Ladder Assembly Instructions



**50° LADDER**  
\*INCLUDES LEG KIT



**75° LADDER**  
\*INCLUDES LEG KIT

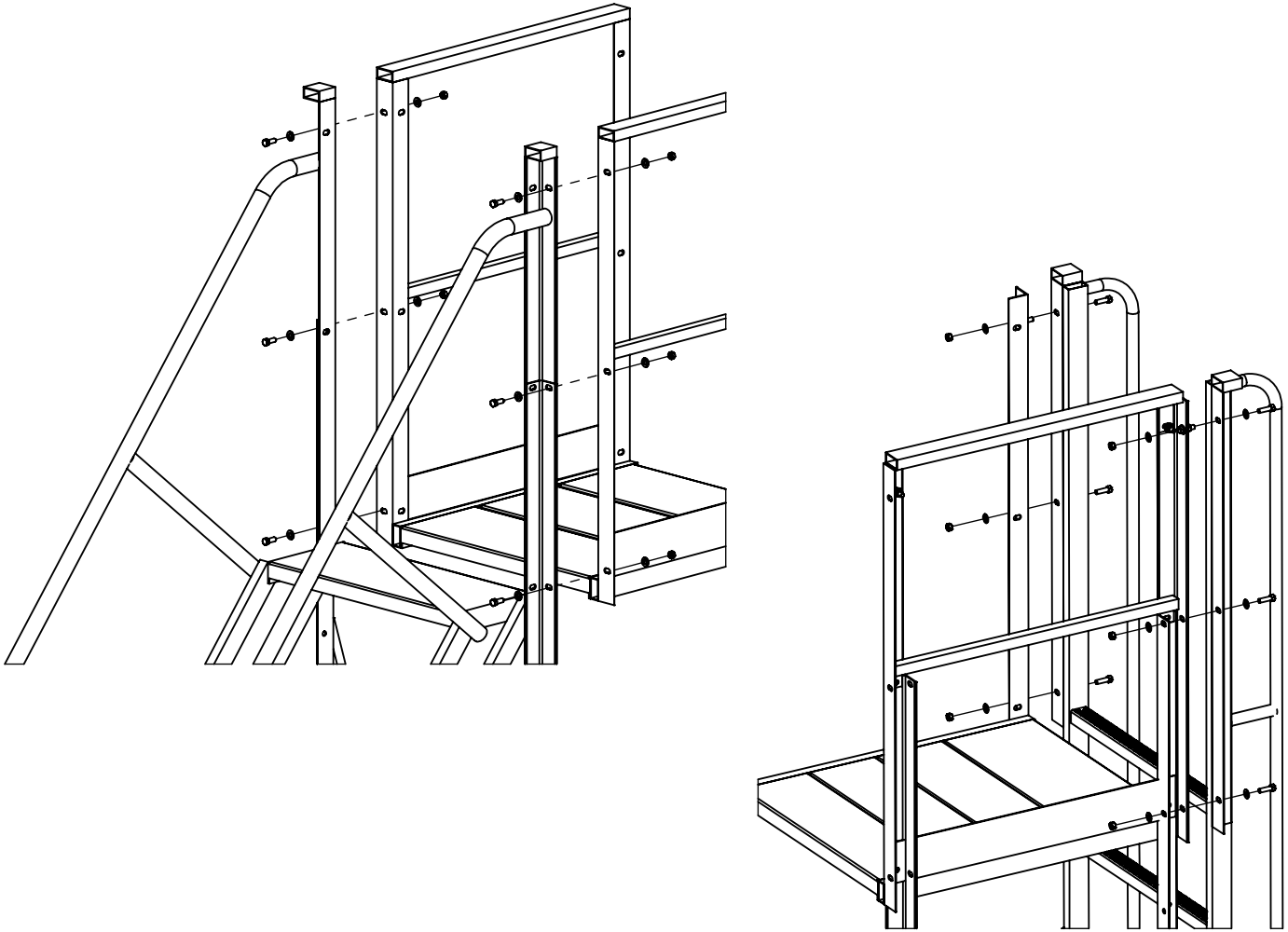


**90° LADDER**

1. Inspect all pieces for damage upon delivery. Inspect delivery for missing parts. Report damages and missing parts to your U-Design vendor.
2. If installing a 90° ladder, skip to step 3. 50° & 75° ladders require the use of a leg kit. Install leg kit as per leg kit assembly instructions.

\*ASSEMBLY REQUIRES AT LEAST 4  
PERSONS CAPABLE OF LIFTING 50 LB EACH.

DO NOT USE THIS PRODUCT UNTIL ALL ASSEMBLY STEPS HAVE BEEN COMPLETED FOR ALL UNITS IN THE CROSSOVER SYSTEM AND THE GUIDELINES FOR CROSSOVER SYSTEM ASSEMBLY ARE FOLLOWED. SEVERE INJURY WILL OCCUR IF ALL STEPS ARE NOT CAREFULLY FOLLOWED.



3. Fasten the ladder to the adjacent part as shown using (6) 3/8" bolts and nuts and (12) washers (included). Do not face threaded end of the bolt toward the traveled side of the ladder or platform. Do not fully tighten fasteners until all steps are completed.

Securely bolt Feet to floor using a fastener and fastening method appropriate for the type of flooring (not included).

ENSURE ALL FASTERS ARE SECURELY TIGHTENED BEFORE USE.

\*ASSEMBLY REQUIRES AT LEAST 4 PERSONS CAPABLE OF LIFTING 50 LB EACH.