



## ASSEMBLY INSTRUCTIONS

1) Remove components from packaging. Inspect all components for damage and component quantities.

ITEM NO.	PART NUMBER	DESCRIPTION	QTY.
1		Platform	1
2	003-3691	Threaded Rod 5-8"	
	003-3692	Threaded Rod 9-14"	4
3	003-3690	Crutch Tip	4
4	003-3672	Ergo Matting	1
5		Double Sided Tape	9
6	003-056	5/16 x 1" Bolt	1
7	003-1411	5/16 Nut	1
8	001-677	5/16 Washer	2

TOOLS REQUIRED	QTY.
1/2" Wrench (If connecting multiple platforms)	2

**800LB.**  
**Capacity**

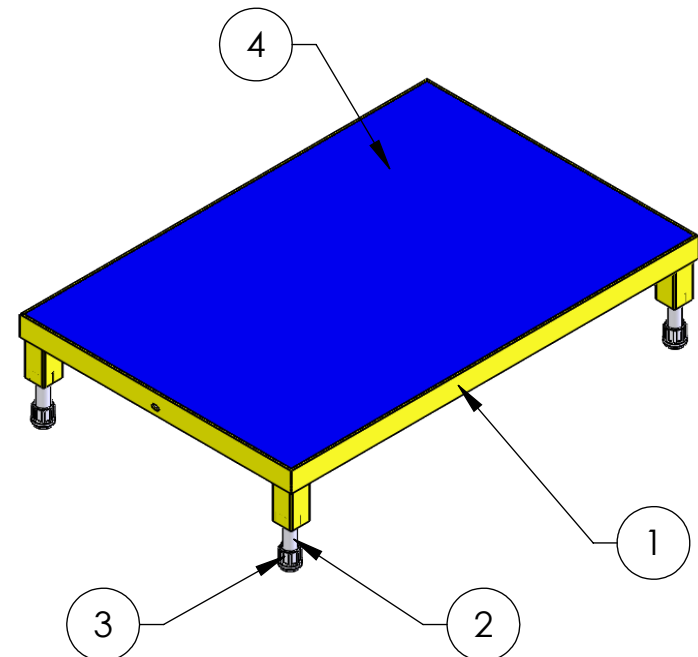
**TRIARC**  
TRI-ARC MANUFACTURING CO.

### 5" - 8" HEIGHT ADJUSTMENT

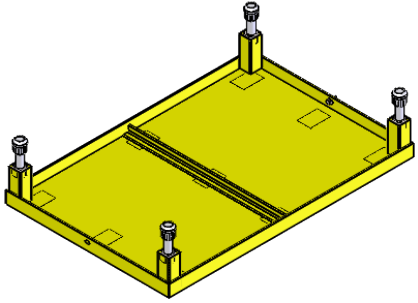
MCOS24 195	24"	19"
MCOS24 245	24"	24"
MCOS36 195	36"	19"
MCOS36 245	36"	24"
MCOS48 195	48"	19"
MCOS48 245	48"	24"
MCOS72 245	72"	24"

### 9" - 14" HEIGHT ADJUSTMENT

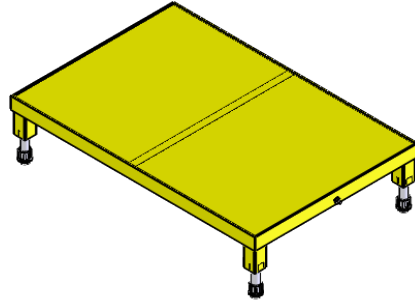
MCOS24 199	24"	19"
MCOS24 249	24"	24"
MCOS36 199	36"	19"
MCOS36 249	36"	24"
MCOS48 199	48"	19"
MCOS48 249	48"	24"
MCOS72 249	72"	24"



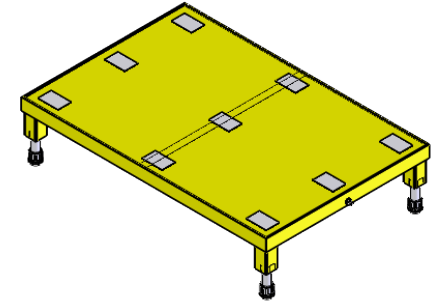
2) Flip the unit over and install crutch tips on each leg by applying pressure until crutch tip is fully seated. One per leg (Quantity 4)



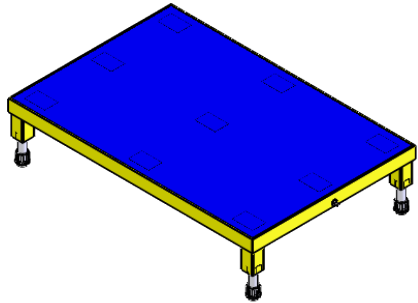
3) Flip the unit over and adjust each leg to the desired height keeping the platform level. Shorter platforms may be adjusted between 5"-8". Taller platforms may be adjusted between 9"-14".  
**Warning: Adjusting the platform outside of these parameters can result in failure under capacity.**



4) Remove one side of backing and place the provided tape in the following orientation. (Quantity 9)



5) Remove the second backing and install the Ergo matting evenly above the platform.



To connect two or more platforms together, use the 5/16" hardware provided. You will need two 1/2" wrenches (not provided) to tighten the fasteners.

All legs should be adjusted to the ground to evenly distribute the capacity and create a level, stable work platform.

