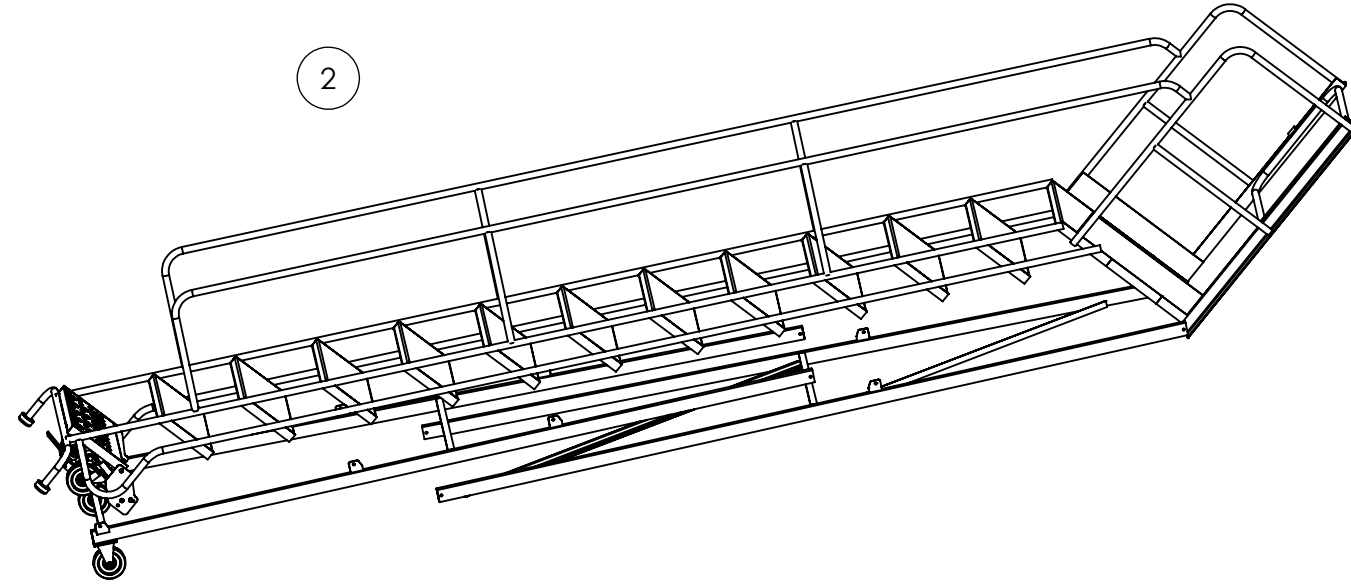
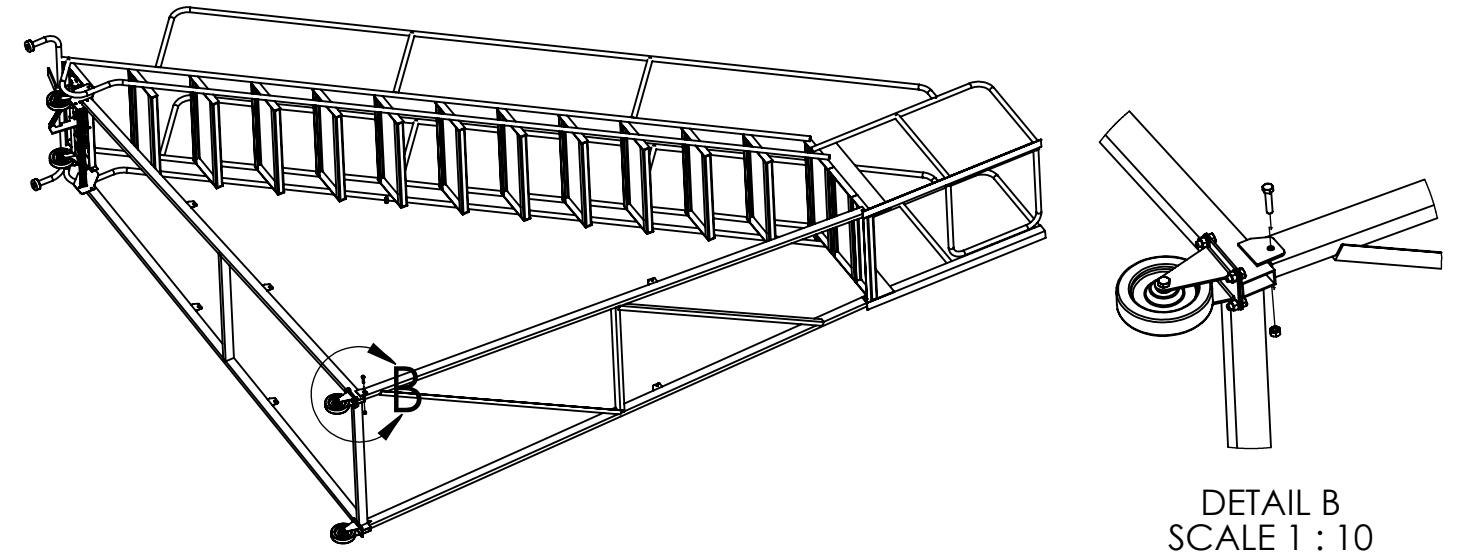




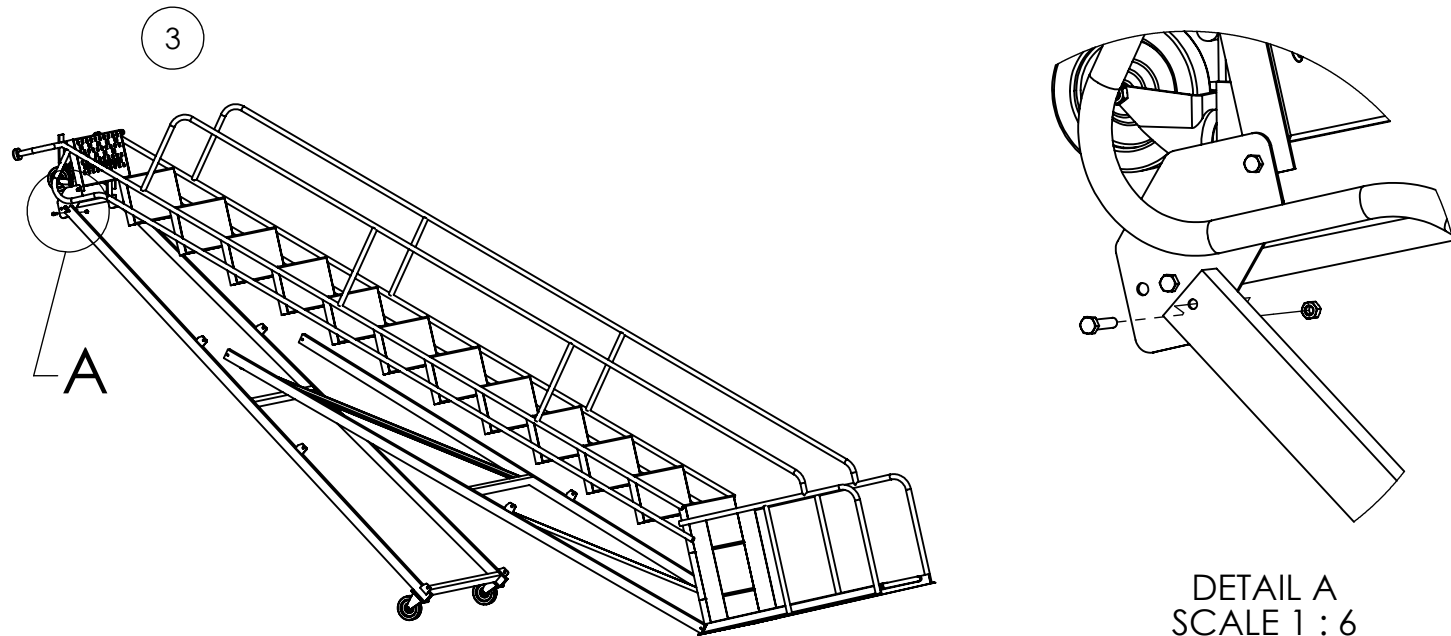
1. If you purchased a specialty option be sure to read ALL relevant instruction packets prior to any assembly.
2. Place the stringer on a firm working surface, laying on its side. Remove the wire-ties holding the stringer / back together and reattach using the 5/16" x 1-3/4" bolts provided.



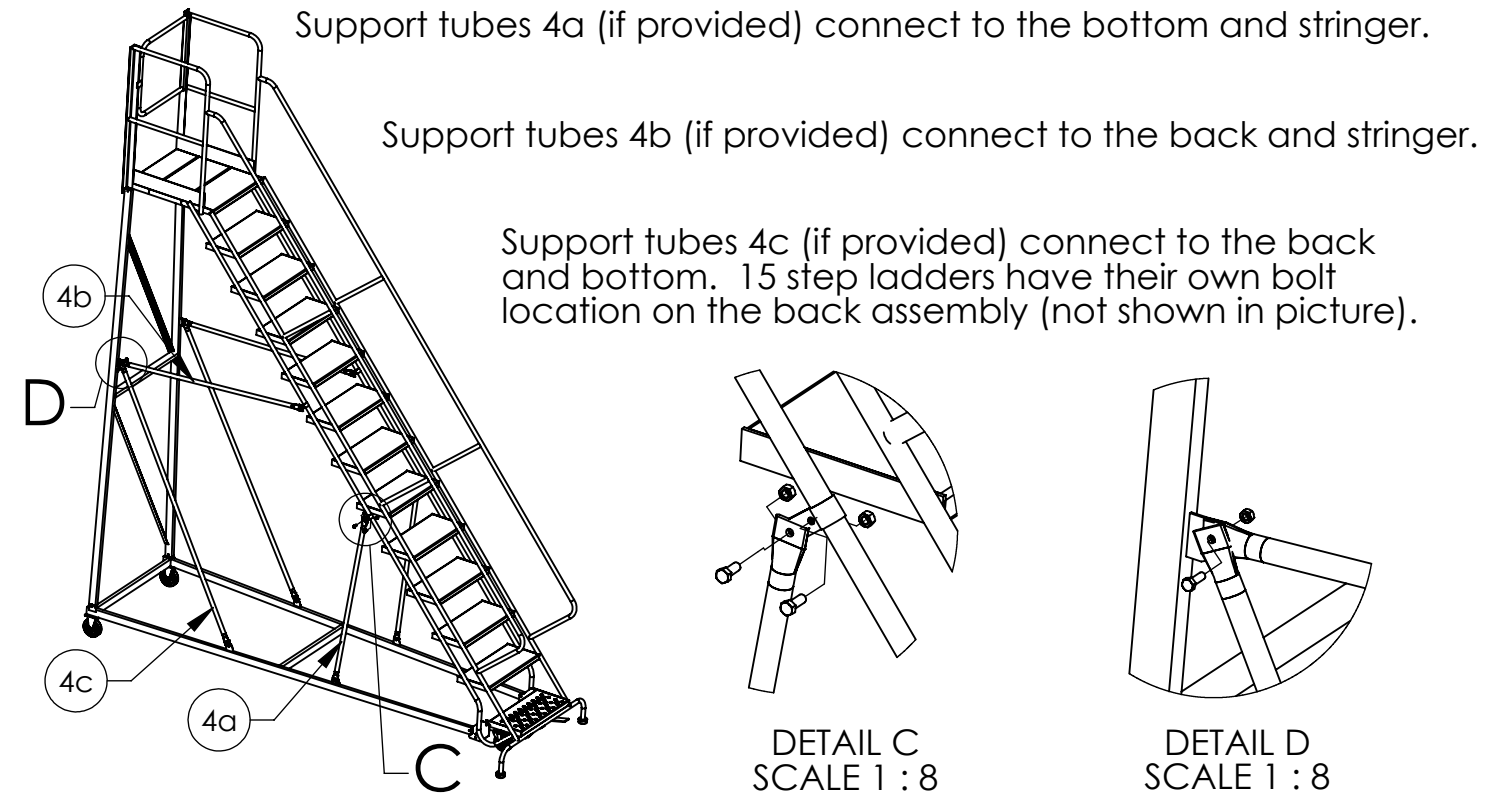
4. Pivot the back and bottom assemblies until their connection holes align. Connect using 5/16" x 1-1/2" bolts. For 6-7 step models, the back is not welded and includes a back support tube that must also be bolted through the connection hole.



3. Flip the bottom assembly so that the bottom assembly holes align with the holes on the step lock plate. Once the holes are aligned, fasten using 5/16" x 1-1/2" bolts, as shown in Detail A below.



5. Install support tubes as shown below. Support tubes are connected to the support tube clamps using hand tightened 5/16" x 1" fasteners, as shown in Detail C. Detailed figures below show examples of how the support tubes attach to the clamps.



6. Refer to included hinge box for further instructions on how to add tension to swing gate hinges.
7. Prior to standing the ladder upright, be sure to tighten all fasteners completely, including any that may have been only hand-tightened earlier