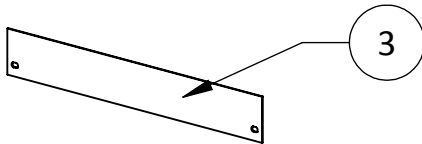
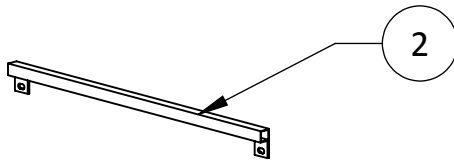
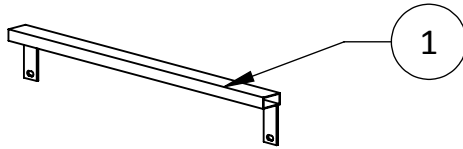


Rail Kit Assembly Instructions

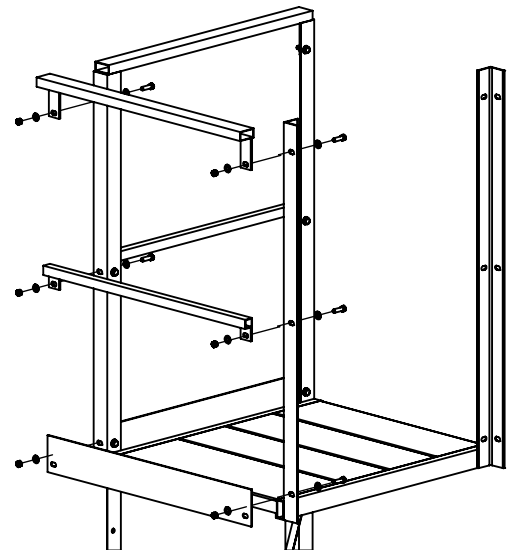


ITEM NO.	DESCRIPTION
1	TOP RAIL
2	MID RAIL
3	KICK PLATE

- ①. Inspect all pieces for damage upon delivery. Inspect delivery for missing parts. Report damages and missing parts to your U-Design vendor.

- ②. Fasten Top Rail, Mid Rail, and Kick Plate to Turn Platform as shown using (6) 3/8" bolts and nuts and (12) washers (included). A Rail Kit is required on all open platform sides. to the adjacent part as shown using (6) 3/8" bolts and nuts and (12) washers (included). Do not face threaded end of the bolt toward the traveled side of the ladder or platform.

ENSURE ALL FASTERS ARE SECURELY TIGHTENED BEFORE USE.



***ASSEMBLY REQUIRES AT LEAST 4 PERSONS CAPABLE OF LIFTING 50 LB EACH.**