

OPERATING AND MAINTENANCE INSTRUCTIONS

(Read the entire sheet carefully and retain for future reference)



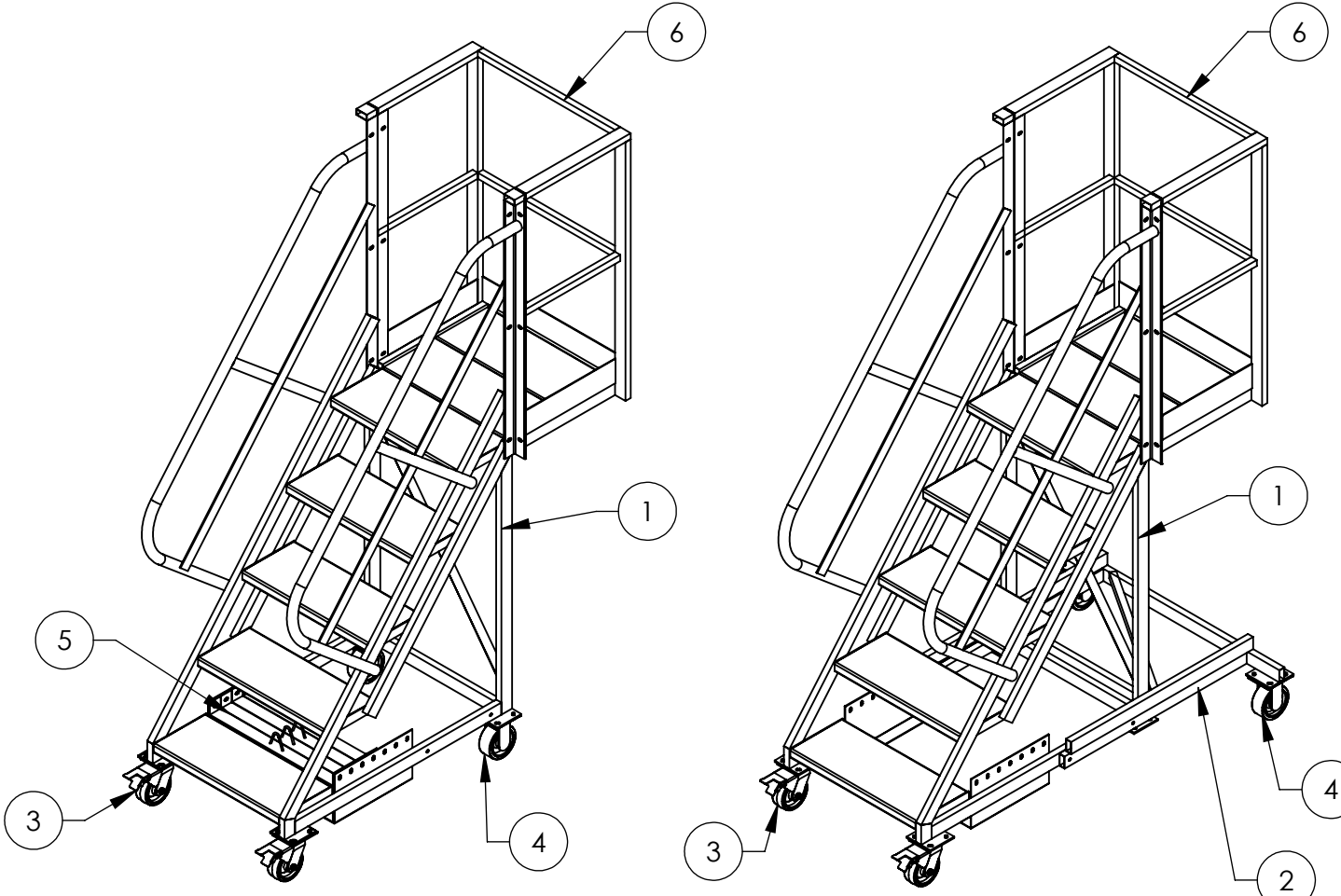
LADDER INSPECTION

- Upon receipt, inspect each unit immediately for damage incurred during shipping. If damage has occurred, sign for ladder as DAMAGED, contact the freight carrier and the manufacturer immediately. DO NOT USE LADDER.
- Inspect all ladders prior to each use, any ladders damaged or weakened from any cause SHALL NOT BE USED until repaired or replaced. Ladders damaged or worn beyond repair shall be destroyed. NEVER climb a damaged ladder.
- If assembly is required ensure all bracing is properly fitted.
- Ensure that all rubber tips are installed on all legs. Replace all tips that are worn.
- Check brake mechanism. All legs must rest firmly on the floor before climbing.
- Ensure all fasteners are properly tightened.
- Missing or worn labels must be replaced, please contact the manufacturer.

LADDER USE

- All employees shall be instructed by employer in the proper use of the unit, and shall read the operating instructions before being allowed to use any unit.
- Employees must read and obey all instruction labels attached to the unit.
- Units must not be loaded beyond the weight marked on the label.
- The user shall face the ladder and use the handrail when ascending or descending. Overreaching while on a unit could cause instability and result in a fall.
- Additional height shall not be gained by the addition of any type of extension or object being placed on the unit.
- Do not stand on railing or top guardrail. The user shall not ascend farther than the top step.
- Foreign material such as grease shall be removed from shoes prior to ascent of a unit.
- Access to or egress from any step or platform from any other elevated surface shall be prohibited unless the unit has been positively secured against any movement.
- DO NOT USE ladder when occupied.
- DO NOT USE near open electrical circuits, contact with an energized circuit or conductor will cause an electrical shock.
- DO NOT USE in front of a door unless the door is secured in an open position, locked or guarded.
- DO NOT USE on an uneven or sloping surface, units are to be used on a flat level surface.
- DO NOT USE if you tire easily, are subject to fainting spells, use medicine, alcohol, or are physically handicapped.

U-Design Mobile Ladder Stand Platform Assembly Instructions
for 5-9 step supported and unsupported (UCS & UCU) models



UNSUPPORTED (UCU) MODEL

SUPPORTED (UCS) MODEL

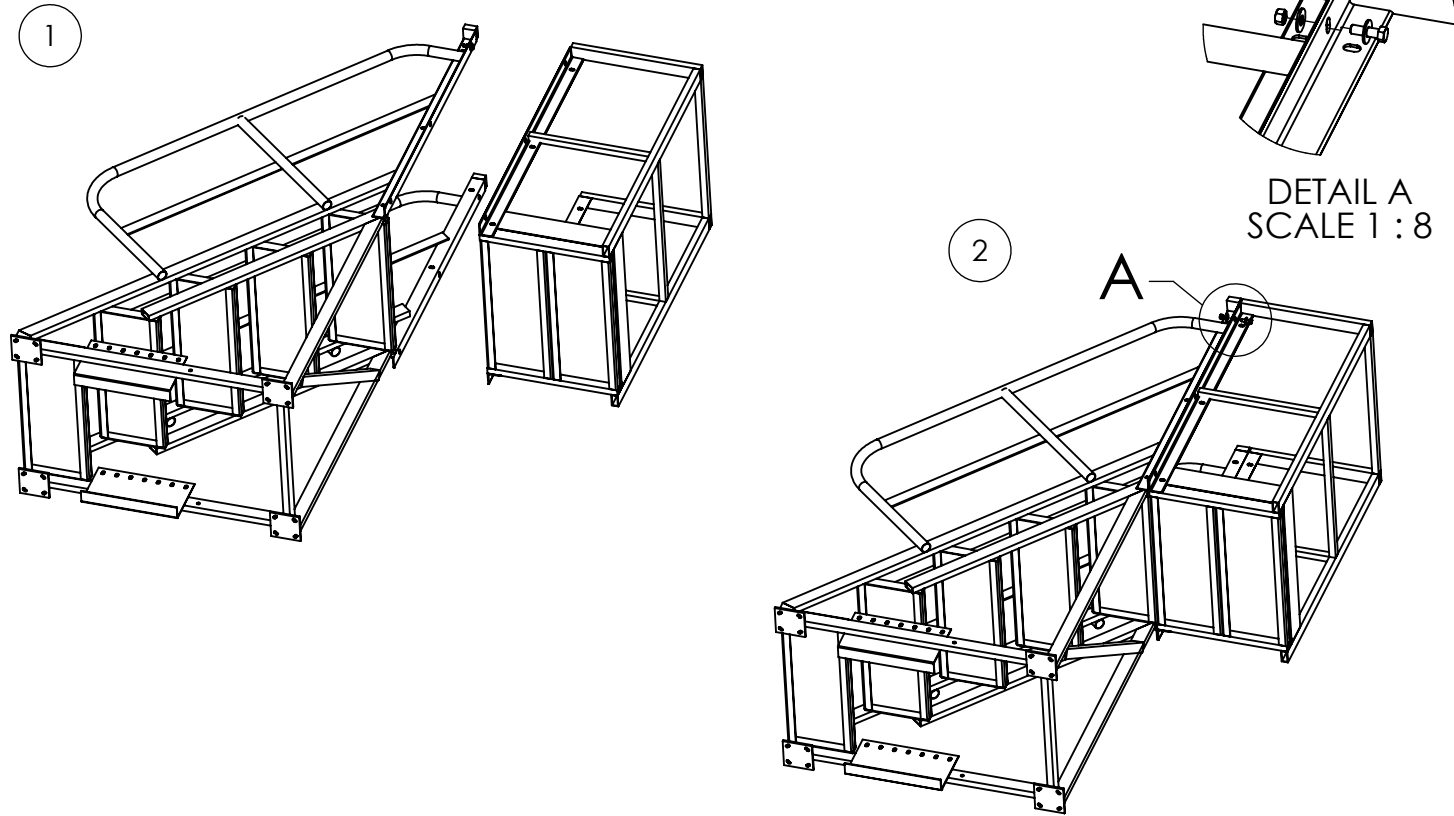
COMPONENTS			
PART #	SUPPORTED QTY	UNSUPPORTED QTY	DESCRIPTION
1	1	1	STRINGER
2	1	0	SUPPORT LEG
3	2	2	TOTAL LOCK SWIVEL CASTER
4	2	2	RIGID CASTER
5	0	VARIES	COUNTERWEIGHT (CHART ENCLOSED)
6	1	1	PLATFORM
	1	1	FASTENER PACK (GRADE 8 ONLY)



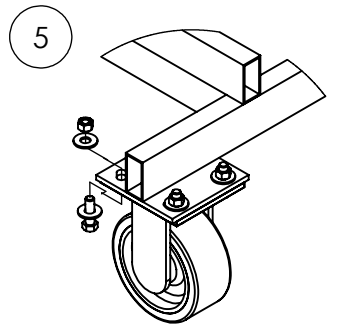
800-565-2165
www.tri-arc.com

* TOOLS REQUIRED - UTILITY KNIFE, 9/16" SOCKET WRENCH, & OPEN END WRENCH

- Place the stringer and platform on a firm working surface, laying on their sides.
- Position the stringer and platform so that all of the connection holes align. Connect the platform and stringer through the slots in angle with 3/8" x 1-1/4" bolts (3 per side).
UCS models proceed to step 3, UCU models skip to step 4.



- Bolt the total lock swivel casters underneath the front step using 3/8" x 1-1/4" bolts. Bolts threads must face up to avoid caster interference.
- On **UCS models** rigid casters bolt to the support leg caster plates, as detailed to the right. On **UCU models** rigid casters bolt to the caster plates on the stringer frame. Both models use four (4) 3/8" x 1-1/4" bolts per caster.

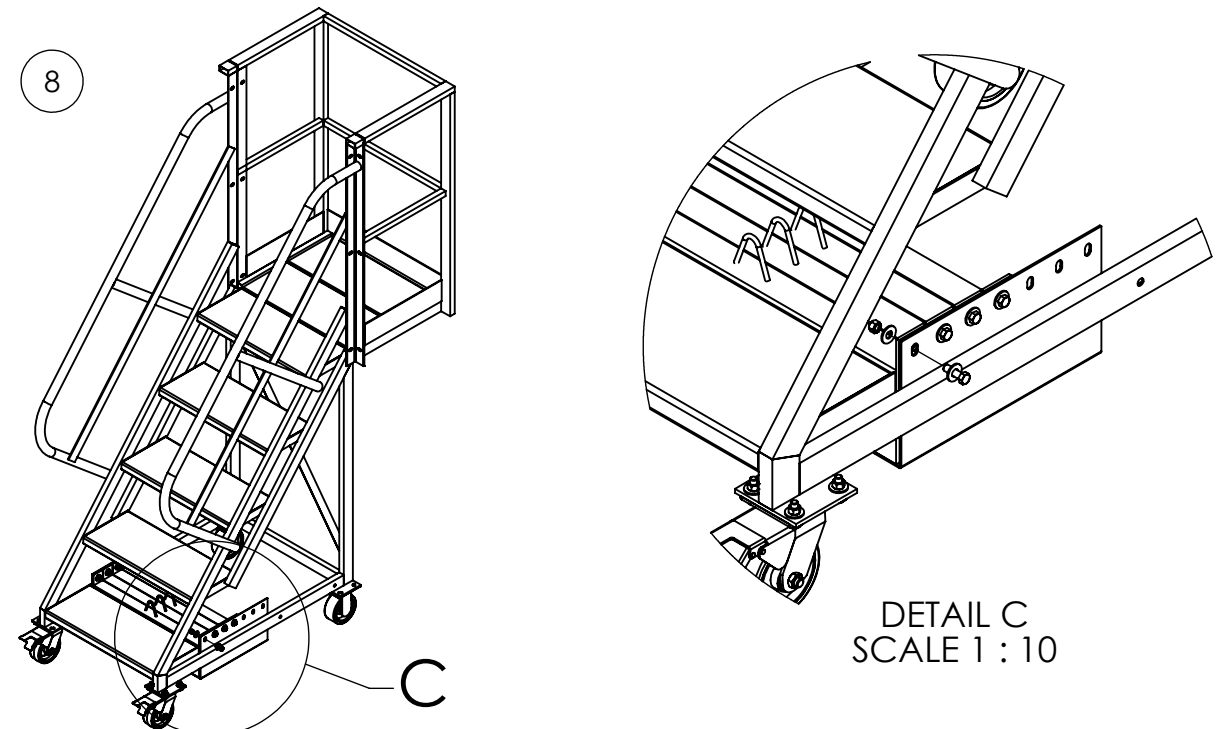
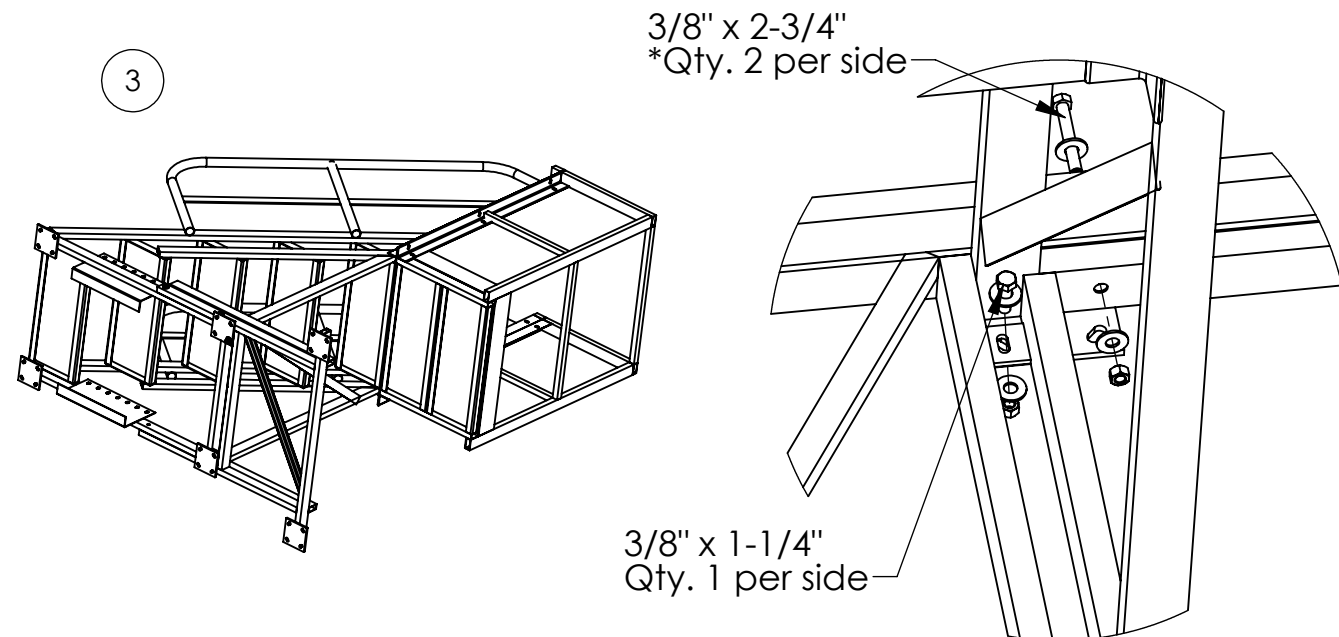


- UCS models** can now be stood vertically onto its casters. They are now completed and ready for use.
- UCU models only.** With the casters bolted on, stand the ladder vertically onto its casters. The platform must be supported during steps 7 & 8. Refer to the chart below to determine the quantity of counterweight units required for capacity.

7

Cantilever Platform Size		20"	30"	40"
Steps	Platform Height	Counterweight Units Required		
5	50"	4	6	7
6	60"	3	4	6
7	70"	3	4	5
8	80"	2	3	4
9	90"	2	3	4

- UCU models only.** Once the correct number of required counterweight units are determined, the counterweight can now be bolted into the brackets welded on the stringer frame base. The counterweight must be bolted in the slots closest to the front step, as shown in Detail C below. Each piece of counterweight uses two (2) 3/8" x 1-1/4" bolts.



*9 step, 40" deep platforms will have four (4) 3/8" x 2-3/4" bolts per side.