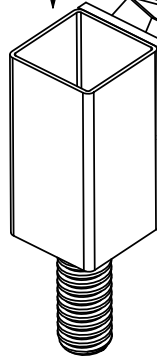
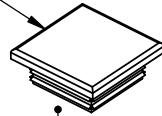


8 7 6 5 4 3 2 1

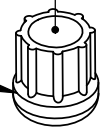
D

D

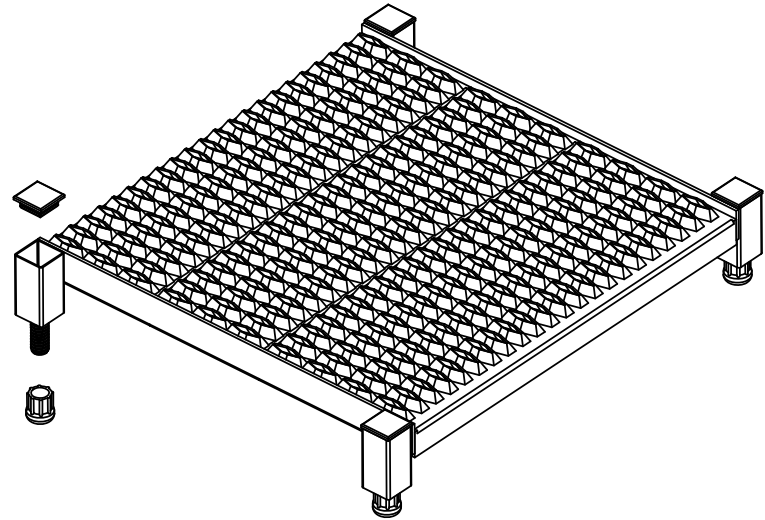
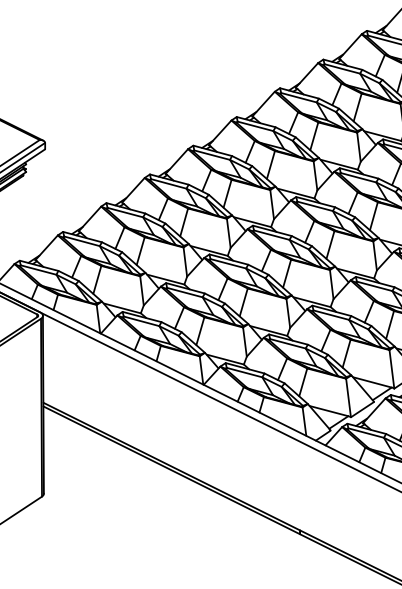
Black plastic cap
003-3653



Black crutch tip
003-396



Typical at all four corners



C

C

B

B

A

A

8 7 6 5 4 3 2 1

Tri-Arc Manufacturing

TITLE:
Cap and Pad Installation

SIZE B	DWG. NO. WLOS Instructions	REV 00
------------------	-------------------------------	------------------

SCALE: 1:2	DATE: 1/4/18	SHEET 1 OF 1
------------	--------------	--------------