

ASSEMBLY INSTRUCTIONS AND PARTS LIST FOR MODEL WLST002212

Assembly Instructions:

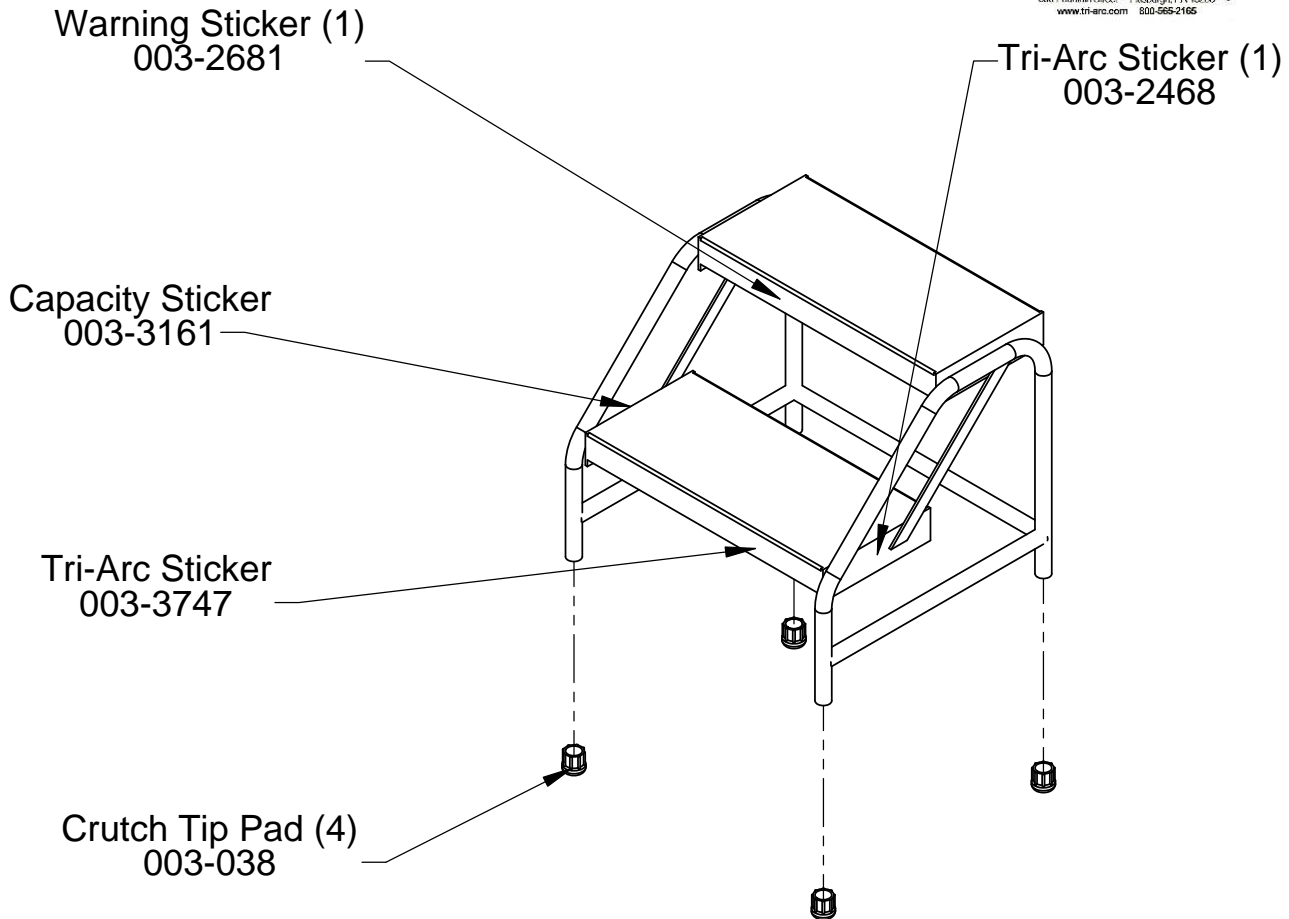
- 1.) Carefully review this document prior to assembly.
- 2.) If any parts are missing, contact Tri-Arc immediately for assistance.
- 3.) Do not place the step stool into service until the missing/replacement parts are received for installation.
- 4.) Do not put the step stool into service without affixing all safety and identification labels in the designated location specified here.

WARNING
FAILURE TO READ AND FOLLOW INSTRUCTIONS
ON THE USE OF THIS PRODUCT COULD RESULT
IN SERIOUS PERSONAL INJURY OR DEATH. 003-2681



THIS PRODUCT MEETS OR EXCEEDS ALL APPLICABLE OSHA AND ANSI STANDARDS.
DANGER: ELECTRICAL SHOCK HAZARD - NEVER USE WHERE CONTACT MAY BE MADE WITH
ELECTRICITY.
MONTH MFG. JAN FEB MAR APR MAY JUN JUL AUG SEPT OCT NOV DEC YEAR MFG. 12 14 15 16 17 18 19

TRIOARC
Tri-Arc Manufacturing Company
300 Fourteen Street - Pittsburgh, PA 15238
www.tri-arc.com 800-565-2165



WARNING!!!!

Do not put the assembled ladder into service without affixing all safety and identification labels in the designated location per this instruction document.

OPERATING AND MAINTENANCE INSTRUCTIONS

(Read the entire sheet carefully and retain for future reference)

LADDER INSPECTION

- Upon receipt, inspect each unit immediately for damage incurred during shipping. If damage has occurred, sign for ladder as DAMAGED, contact the freight carrier and the manufacturer immediately. DO NOT USE LADDER.
- Inspect all ladders prior to each use, any ladders damaged or weakened from any cause SHALL NOT BE USED until repaired or replaced. Ladders damaged or worn beyond repair shall be destroyed. NEVER climb a damaged ladder.
- If assembly is required ensure all bracing is properly fitted.
- Ensure that all rubber tips are installed on all legs. Replace all tips that are worn.
- Check brake mechanism. All legs must rest firmly on the floor before climbing.
- Ensure all fasteners are properly tightened.
- Missing or worn labels must be replaced, please contact the manufacturer.

LADDER USE

- All employees shall be instructed by employer in the proper use of the unit, and shall read the operating instructions before being allowed to use any unit.
- Employees must read and obey all instruction labels attached to the unit.
- Units must not be loaded beyond the weight marked on the label.
- The user shall face the ladder and use the handrail when ascending or descending. Overreaching while on a unit could cause instability and result in a fall.
- Additional height shall not be gained by the addition of any type of extension or object being placed on the unit.
- Do not stand on railing or top guardrail. The user shall not ascend farther than the top step.
- Foreign material such as grease shall be removed from shoes prior to ascent of a unit.
- Access to or egress from any step or platform from any other elevated surface shall be prohibited unless the unit has been positively secured against any movement.
- DO NOT USE ladder when occupied.
- DO NOT USE near open electrical circuits, contact with an energized circuit or conductor will cause an electrical shock.
- DO NOT USE in front of a door unless the door is secured in an open position, locked or guarded.
- DO NOT USE on an uneven or sloping surface, units are to be used on a flat level surface.
- DO NOT USE if you tire easily, are subject to fainting spells, use medicine, alcohol, or are physically handicapped.