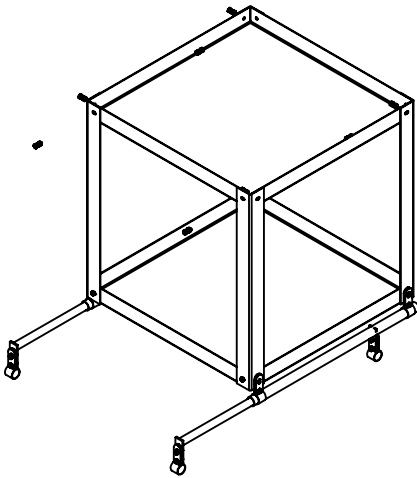
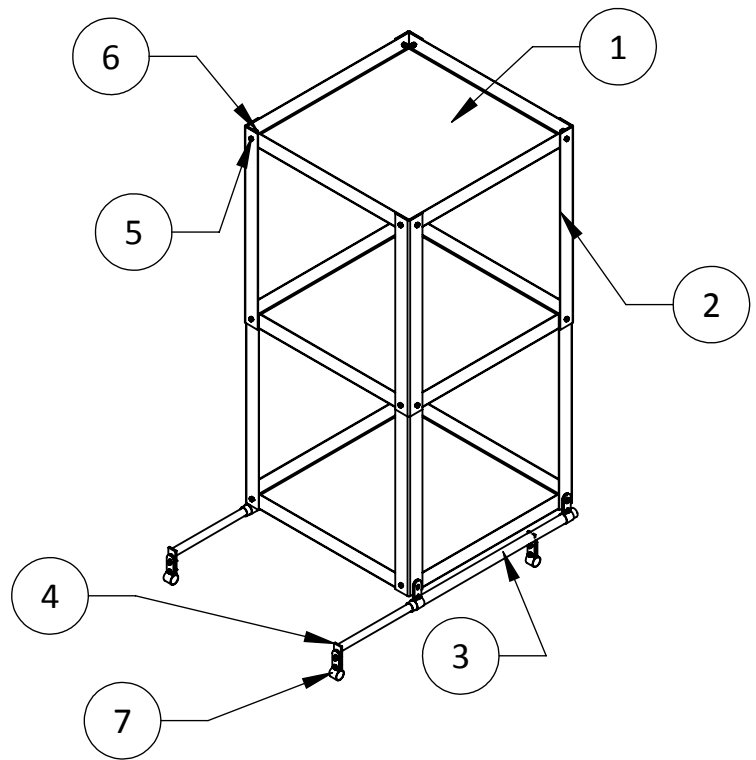


## Stock Picking Shelves Assembly Instructions

2 Shelf Kit



3 Shelf Kit

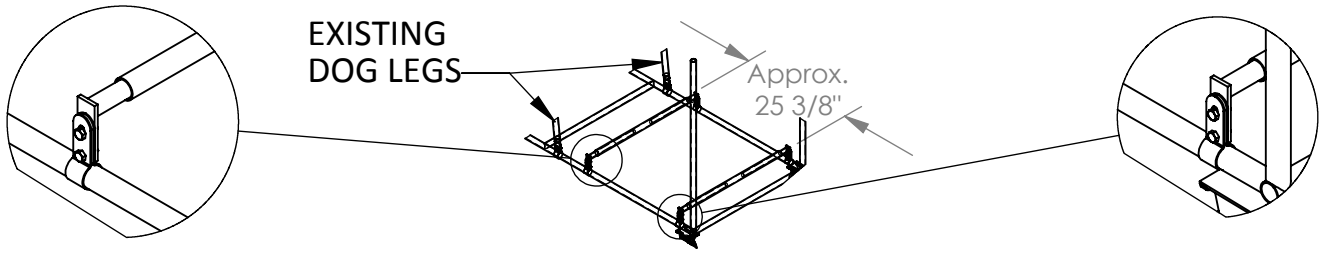


ITEM NO.	DESCRIPTION	2 Shelf/QTY.	3 Shelf/QTY.
1	Pan	2	3
2	Shelf Frame	4	8
3	Receiver	2	2
4	Extender	4	4
5	1/4"-20 x 1" Bolt	32	40
6	1/4"-20 Nylock Nut	32	40
7	Dogleg Clamp	8	8

Inspect all pieces for damage upon delivery. Inspect delivery for missing parts. Report damaged or missing parts to your U-Design vendor.

\*ASSEMBLY REQUIRES AT LEAST 2  
PERSONS CAPABLE OF LIFTING 50 LB EACH.

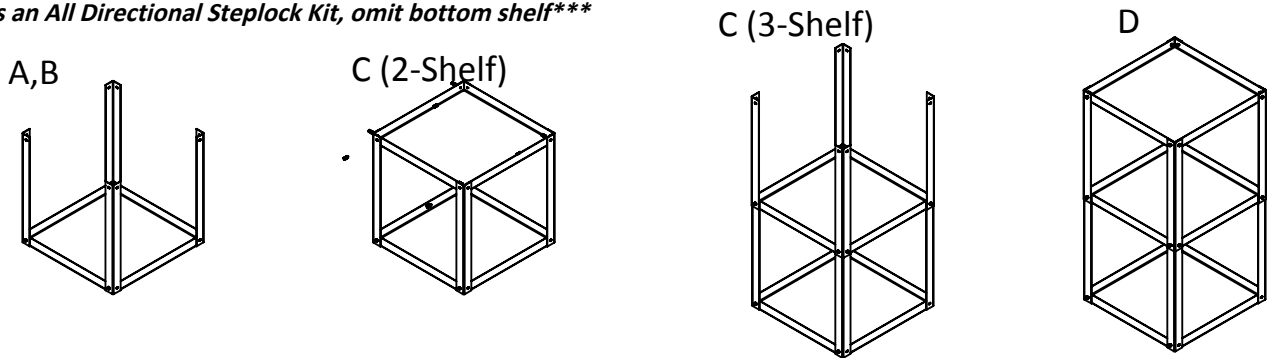
- Begin by sliding (2) Dog Leg Clamps over each side of the Ladder Bottom. Place each set of Extenders into their Receiver Tubes and attach them to the Dog Leg Clamps using the provided hardware. Space the (2) assemblies out as shown.  
**\*\*\*Do not fully tighten hardware at this point, you should still be able to move the assemblies\*\*\***  
**\*\*\*You may need to move the existing Dog Leg Clamps to facilitate shelf installation\*\*\***



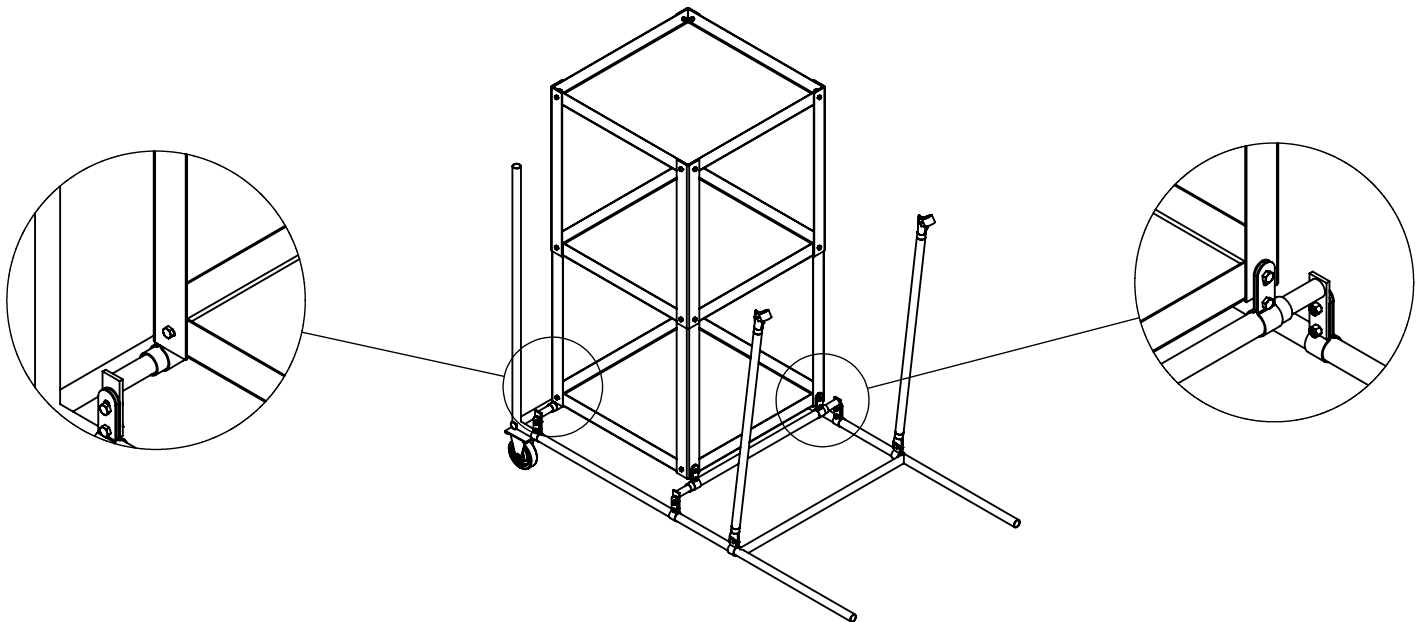
- Slide (2) Dog Leg Clamps over ea. Receiver Tube and secure it using the hole closest to the Tube.  
**\*\*\*Do not fully tighten hardware at this point, you should still be able to move the clamps\*\*\***

- Assemble the Stock Picking Shelf Assembly outside of the ladder by.
  - Place first shelf on a flat surface.
  - Place (4) Shelf Frames on the outside of each corner and fasten the frames using the provided hardware. Leave out fasteners on (2) sides to attach to the bottom when ready.
  - If only 2 shelves are used, attach second shelf inside of the Frames already in-place. If a 3rd shelf is used, place (4) more Shelf Frames on the outside of the second shelf and attach using the provided hardware.
  - Attach 3rd shelf inside of the Frames.

**\*\*\*If Ladder has an All Directional Steplock Kit, omit bottom shelf\*\*\***



- Place the shelf assembly inside the ladder frame and rest it on the rear, previously installed, Extension Assembly.
- As one person holds the shelf, attach the front of the Shelf Assembly to the front Extension Assembly.
- Slide the Shelf Assembly forward and attach it to the rear Extension Assembly.
- At this point, fully tighten all hardware using caution as not to overtighten it.**



**\*ASSEMBLY REQUIRES AT LEAST 2 PERSONS CAPABLE OF LIFTING 50 LB EACH.**